



2016 AUDI A4, Q7 8.3”  
2019 AUDI A1 8.8”  
MANUAL

FP60A

## MAIN UNIT OF INTERFACE



FP60A

Car Brand	Model	Year Range	System
AUDI	A4, Q7	2016	8.3"
	A1	2019	8.8"

# COMPONENTS

1 MAIN UNIT



2 MAIN CABLE



3 IR CABLE



4 LVDS CABLE (A TYPE)



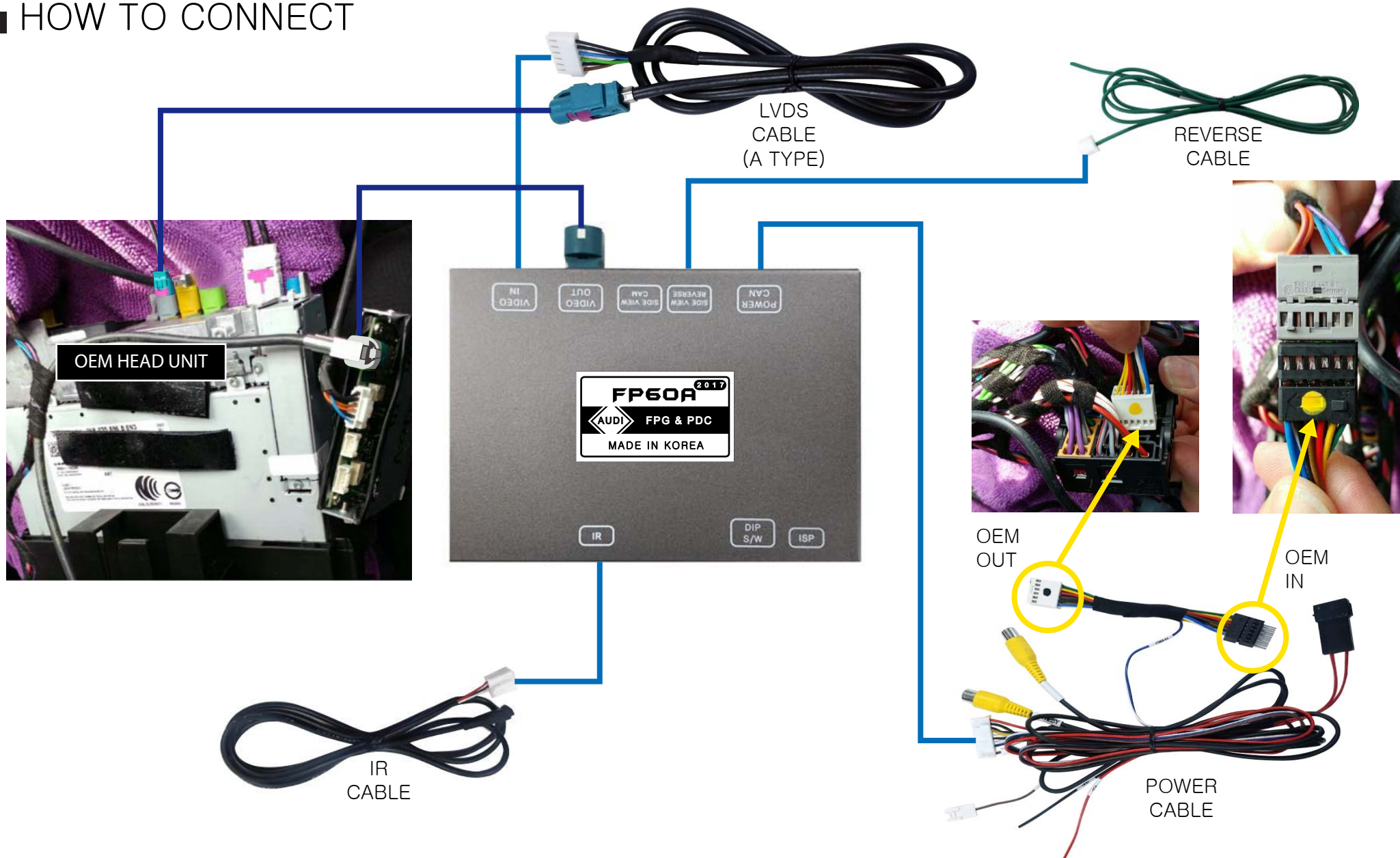
5 REVERSE CABLE



6 REMOTE CONTROL

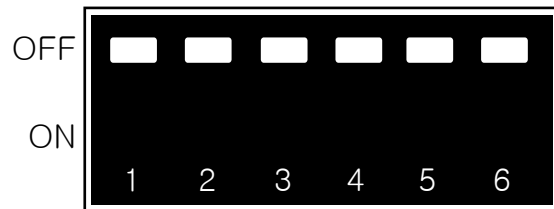


# HOW TO CONNECT

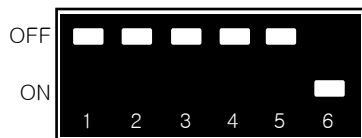


## DIP S/W

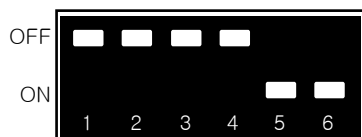
OFF : ↑ (UP) / ON : ↓ (DOWN)



PIN	FUNCTION	DIP S/W SETTING
1		X
2	VEHICLE SETTING	
3	VEHICLE SETTING	
4	REAR CAMERA	OFF : OEM CAMERA ON : AFTERMARKET CAMERA
5	VEHICLE SETTING	
6		ON



AUDI A4, Q7 8.3" 2016



AUDI A1 8.8" 2019

## FP60A SPEC

### 1. INPUT SPEC

- 1 x LVDS output
- 1 x CVBS(rear camera)
- 1 x CVBS(front camera or A/V)

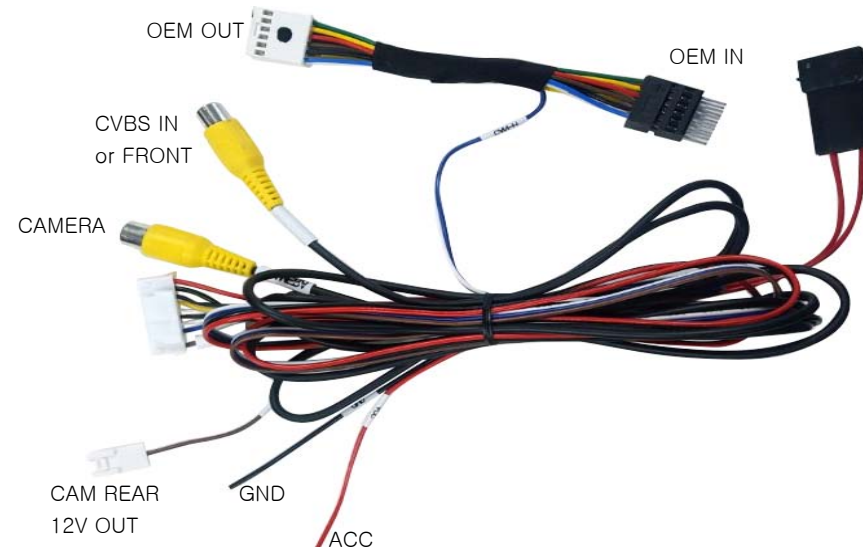
### 2. POWER SPEC

Input power : 8VDC ~ 18VDC  
Consumption : 5WATT

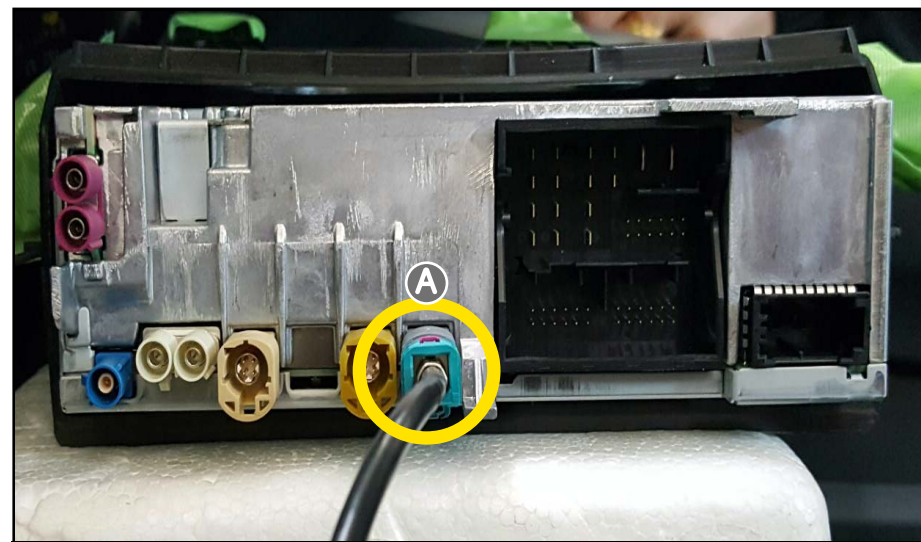
### 3. SIZE

123\*88\*20mm(Width\*Length\*Height)

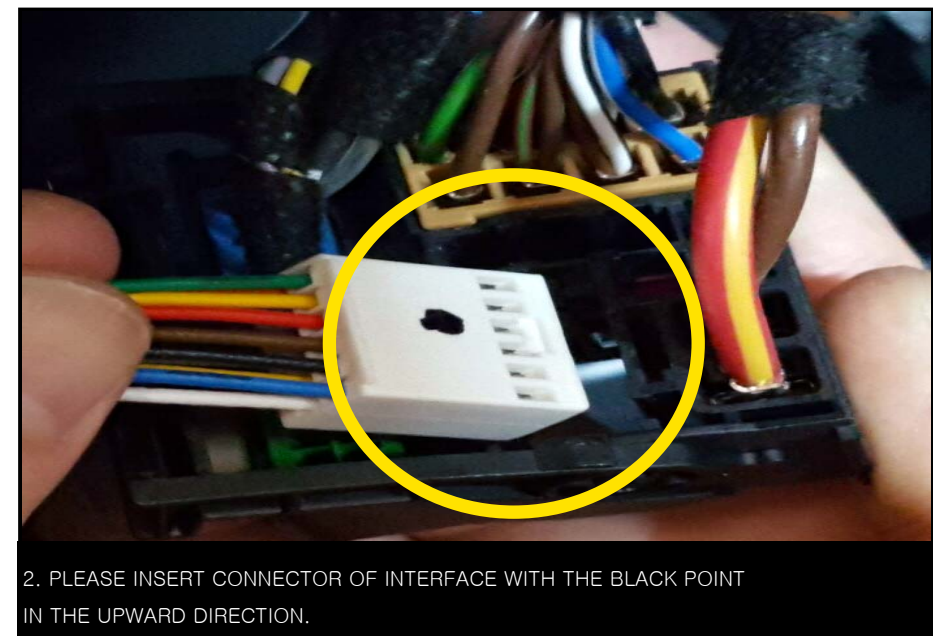
### 4. POWER 10pin



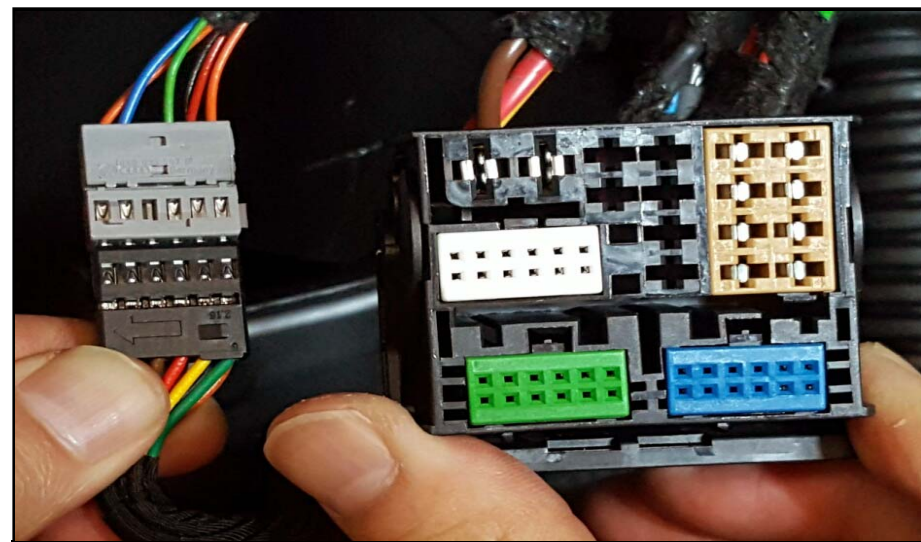
# HOW TO CONNECT



1. PLEASE INSERT VIDEO IN OF INTERFACE INTO WHITE OEM GENDER A



2. PLEASE INSERT CONNECTOR OF INTERFACE WITH THE BLACK POINT IN THE UPWARD DIRECTION.



3. PICTURE OF CONNECTING CABLE.

# HOW TO SWITCH SCREEN(1)

IT WILL COMPATIBLE WHEN YOU USE FRONT CAMERA



SCREEN WILL SWITCH WHEN YOU PRESS  BUTTON FOR 2 SECONDS

OEM → FRONT CAMERA

## HOW TO SWITCH SCREEN(2)

### 1 HOW TO USE IR TO SWITCH SCREEN MANDATORI

ONLY COMPATIBLE ON ORIGINAL SCREEN

PRESS <sup>1</sup>OK 4 TIMES + PRESS <sup>2</sup>MENU ONCE



[R/C OF INTERFACE]

### 2 REAR MODE

AVC TYPE  
AVC TIME  
CAN TYPE  
**REAR MODE**  
DEFAULT SETTING

① OEM CAM

REAR MODE  
**OEM CAM**

② AFTER CAM

REAR MODE  
**AFTER CAM**

③ REAR OFF

REAR MODE  
**REAR OFF**